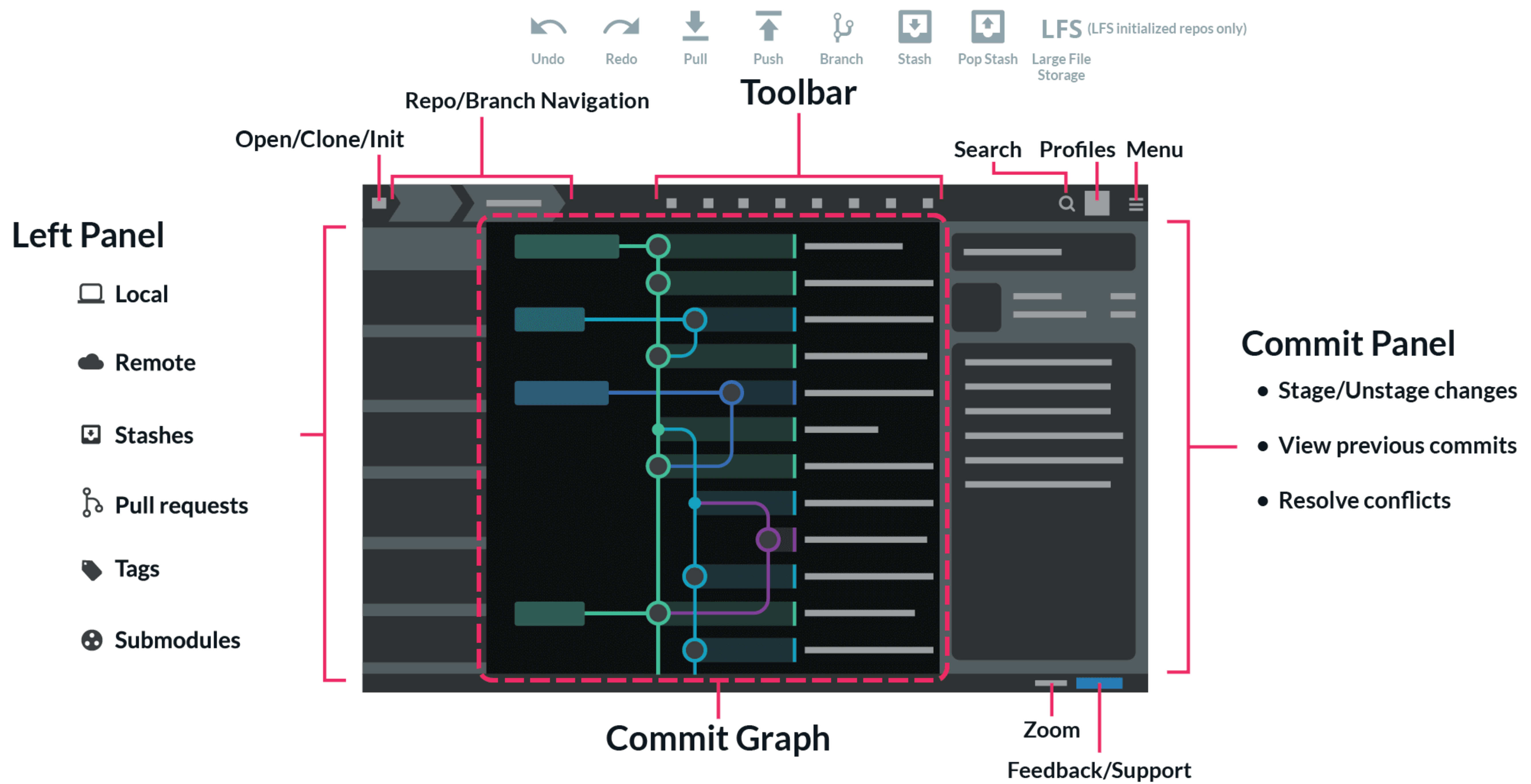
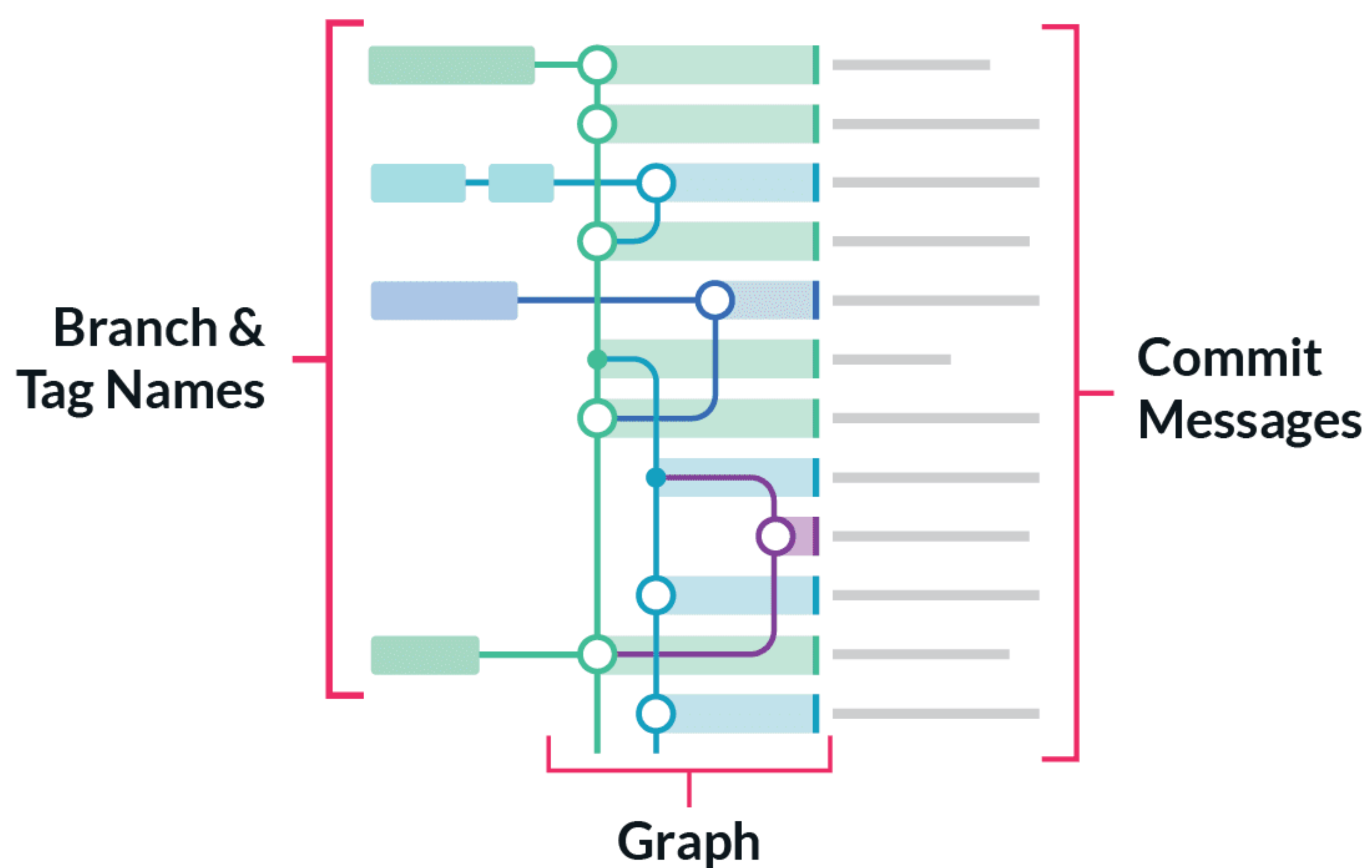


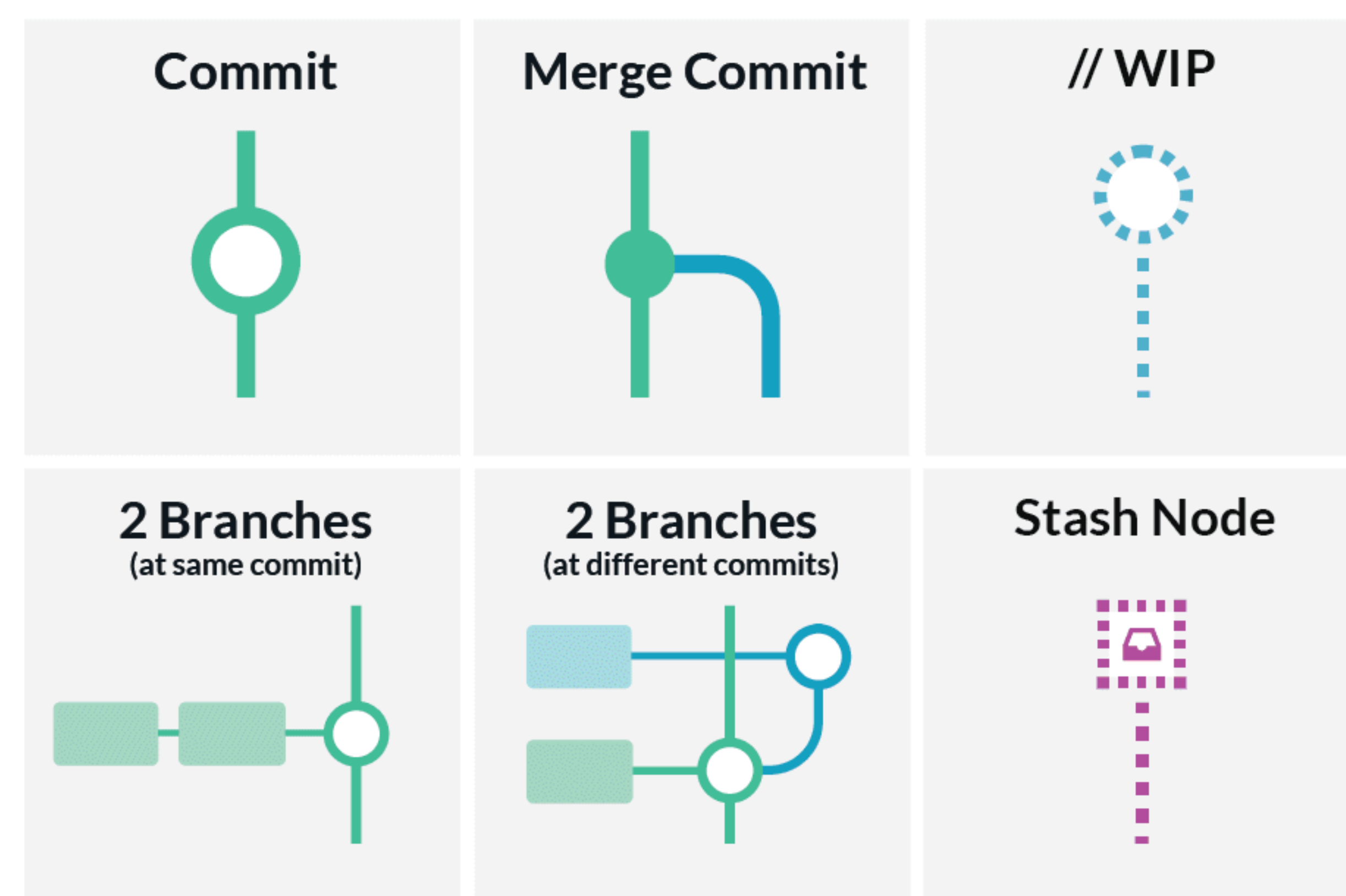
GitKraken User Interface (dark theme)



Commit Graph Detail (light theme)



Graph Elements & Actions



Keyboard Shortcuts

⌘ | Ctrl /

Select Previous Item Up or K

Select Next Item Down or J

Select First Item  Cmd Up

Select First Item  Ctrl Home

Select Last Item  Cmd Down

Select Last Item  Ctrl End

Zoom In/Out ⌘ | Ctrl + / -

Reset Zoom ⌘ | Ctrl 0

Stage/Unstage S / U current file

Open Repo in Terminal Option | Alt T

Commit ⌘ | Ctrl Enter when in message input

Stage All + Commit ⌘ | Ctrl Shift Enter when in message input

Left Panel ⌘ | Ctrl \ toggle

Fuzzy Finder ⌘ | Ctrl P toggle

Stage All Files ⌘ | Ctrl Shift S

Unstage All Files ⌘ | Ctrl Shift U

Undo ⌘ | Ctrl Z

Redo ⌘ | Ctrl Y or ⌘ | Ctrl Shift Z

Filter Left Panel ⌘ | Ctrl Shift T

The Fuzzy Finder

Use **⌘ | Ctrl P** to open the Fuzzy Finder: a text input where you can type commands to open repositories, view the history of files in the current repository, and more.

For example, if you want to open a repository, type: "open repo" and then press `enter`. From there, start typing the name of the repo you're looking for, and you'll quickly see a list of relevant repos you can open.

You can also perform actions on your current repository. For example, you can fetch all, create or pop a stash, undo or redo actions, etc. from the Fuzzy Finder. As you type, the relevant commands will be displayed in a list. This allows you to perform many actions without ever having leave the comfort of your keyboard.

Operating on Other Branches

One of the more subtle capabilities of GitKraken is acting on branches and tags other than the one that is currently checked out. You can fetch, pull, and push a branch while being on a different branch, provided no merge conflicts occur.

For example, if you are on branch "master," you can right click on "feature/123," and choose to push it.

You've always been able to push that branch, but now you can save the extra steps of stashing, checking out that branch, pushing, checking out your previous branch again, and popping your stash.

Hiding and Soloing



The green "eye"-con will display to the left of a branch when hovered and indicates that the corresponding branch is visible in the graph. Clicking this icon will hide the branch in the graph represented by a grey icon with a slash. Hiding branches can help keep the commit graph legible by showing only what you need to see.



To solo a branch, right-click it and select "Solo" from the drop-down menu. An orange icon will display to the left, which indicates the selected branch has been soloed. You can solo as many or as few branches/tags as you like—even entire remotes. Click "Stop Soloing" at the top of the panel to leave the soloing state and restore branches and tags to their previous visible/hidden states.

Undo and Redo

Undoing Git operations can be a nightmare. Undoing a merge can involve hard resetting branches, deleting a branch means manually parsing through the reflog and dangling blobs hoping that you can find your changes and save them before they're cleaned up. With GitKraken, it's easy: just click the Undo or Redo buttons in the toolbar.



Undo

GitKraken can undo a lot of these changes with a single click of the undo button (or, you can do it through the command palette).



Redo

Have you done something, and then undid it, only to wish you had just left it alone? There is a redo function for that!

Pull Requests

Switching between applications can be time-consuming and interrupts workflow, especially when it comes to Pull Requests. By Integrating GitKraken with services like GitHub, you can create new PRs and view pending PRs for multiple repos directly without leaving the loving tentacles of GitKraken.

OAuth Integration with GitHub, Bitbucket, & GitLab



GitHub.com



Bitbucket.org



GitLab.com

GitKraken can be connected to GitHub, Bitbucket, or GitLab via OAuth to provide integrations that make working with your remote repositories easier. For example in GitHub, when cloning a repository or adding remotes, GitKraken is able to show repos you have access to on your connected service(s). Of course, you still have the option of manually entering repo URLs.

SECURE SHELL (SSH)

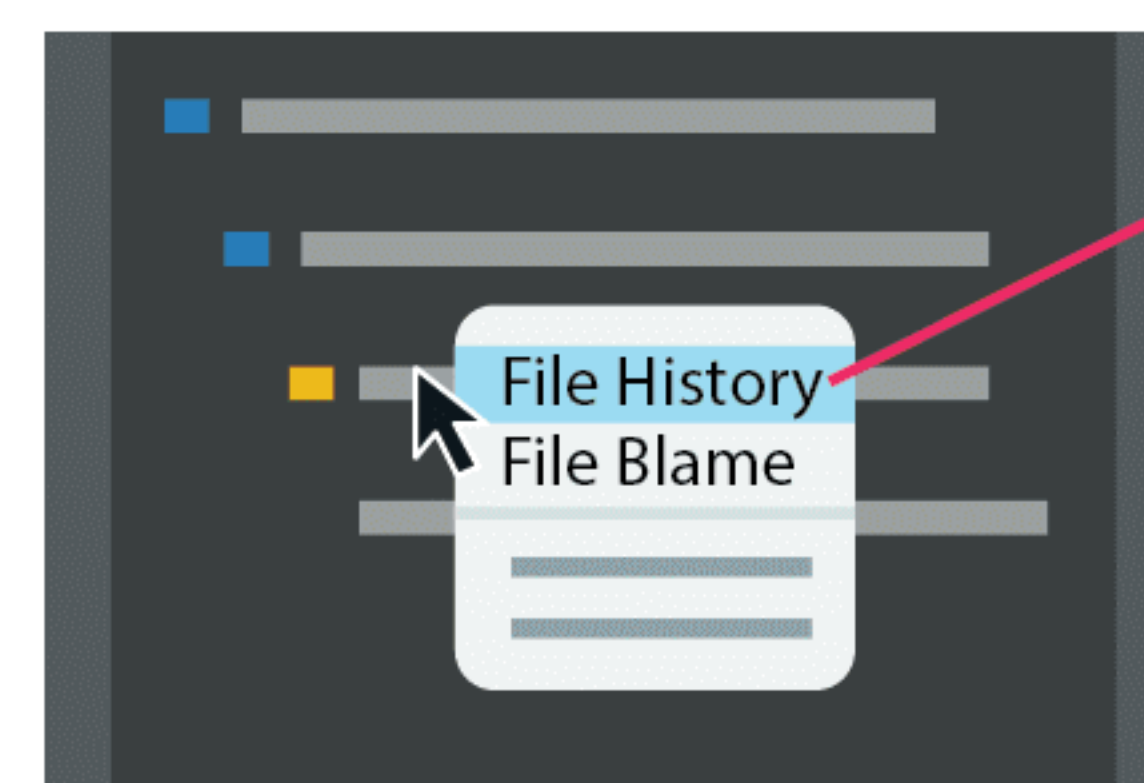
GitKraken can generate an SSH Key for you automatically. It can even add it to your GitHub account if you give it permission.



Since GitKraken uses its own bundled copy of an SSH library, nothing needs to be configured outside of the app.

File History and Blame

History and blame information for a file show up in the same view of the commit panel:



Choose to view history or blame by right clicking the file that appears when you select a commit.

You can also use the Fuzzy Finder **⌘ | Ctrl P** and then type "history" followed by a space and then the filename. Once you're in the history view, you can see the commits in that file's history on the lefthand side.



Visit [GitKraken.com](https://gitkraken.com) to see everything our Git client has to offer, and to download GitKraken for free for Windows, Mac or Linux!